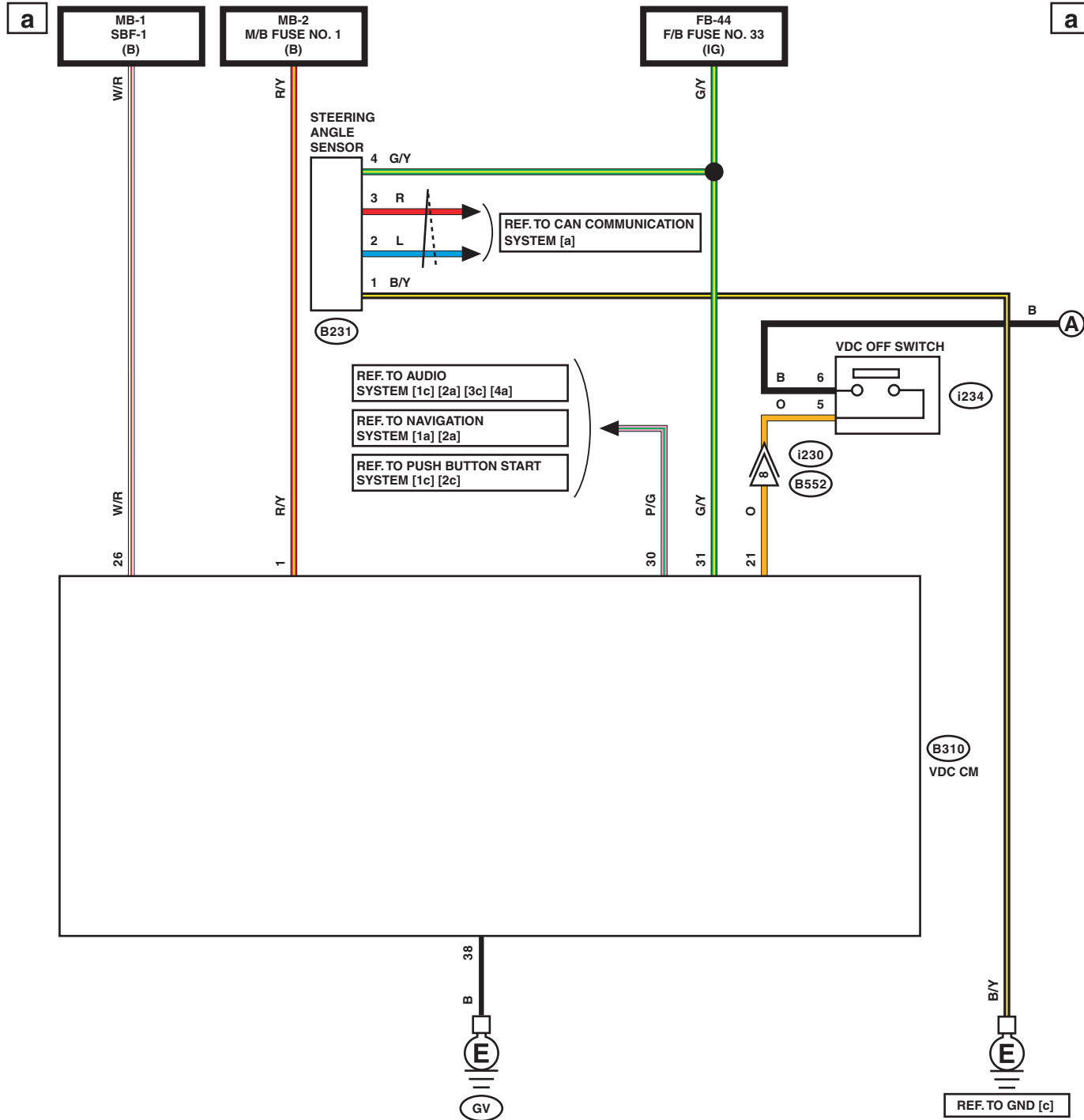


Vehicle Dynamics Control System

WIRING SYSTEM

58. Vehicle Dynamics Control System

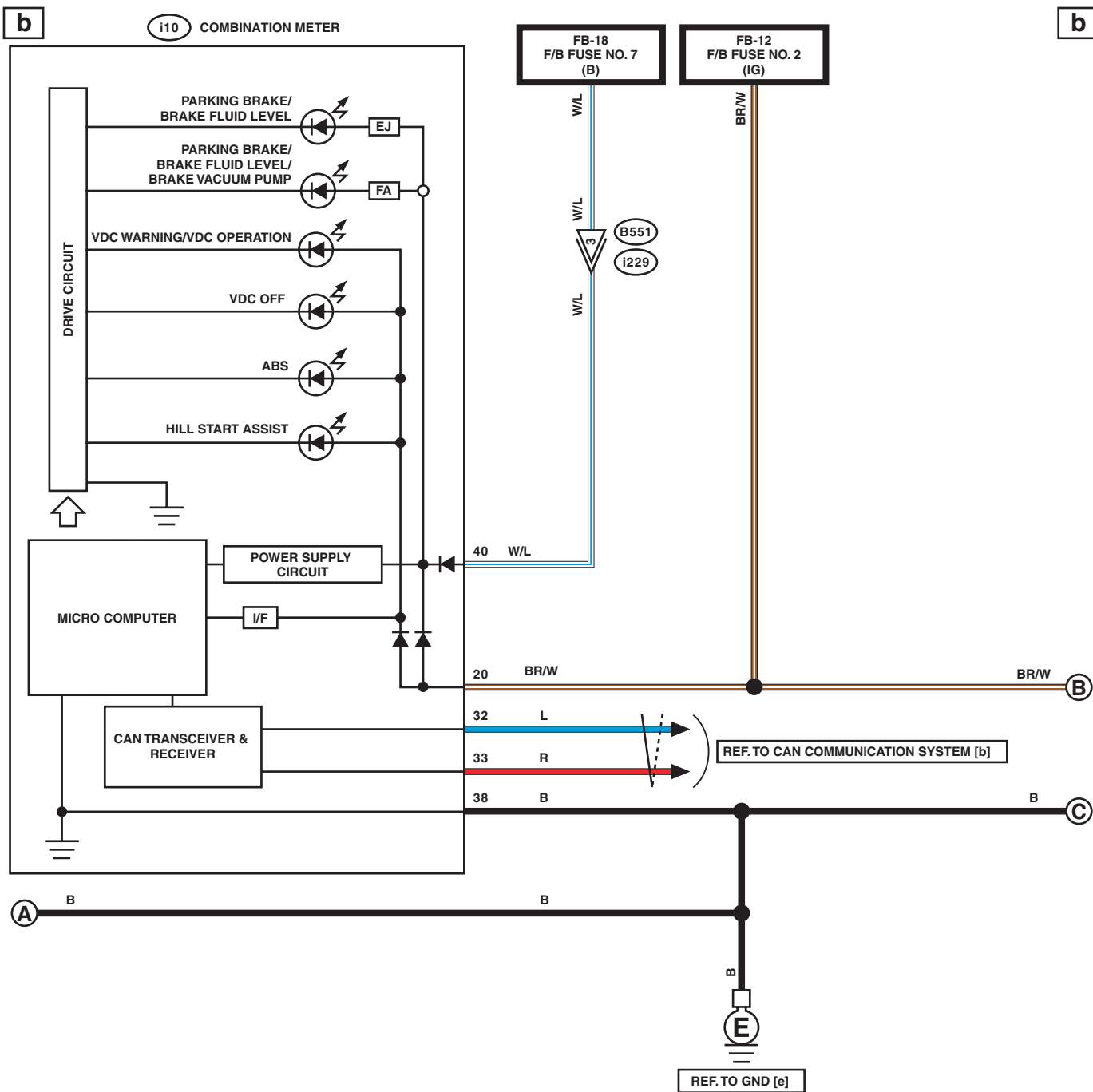
A: WIRING DIAGRAM



WI-44602

Vehicle Dynamics Control System

WIRING SYSTEM



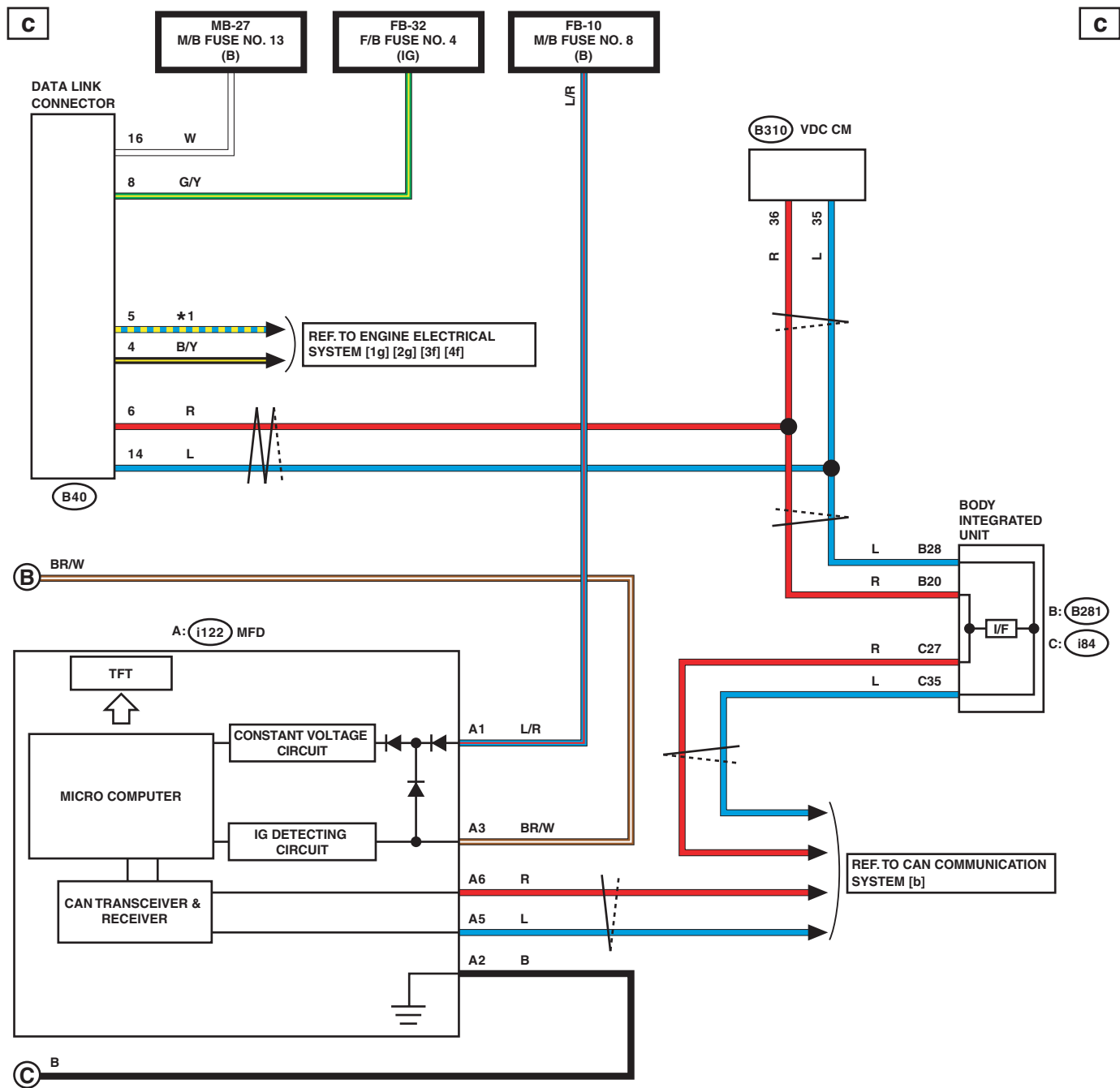
FA : ENGINE TYPE FA

EJ : ENGINE TYPE EJ

WI-44603

Vehicle Dynamics Control System

WIRING SYSTEM



*1 : ENGINE TYPE FA : B/R
ENGINE TYPE EJ : B/W

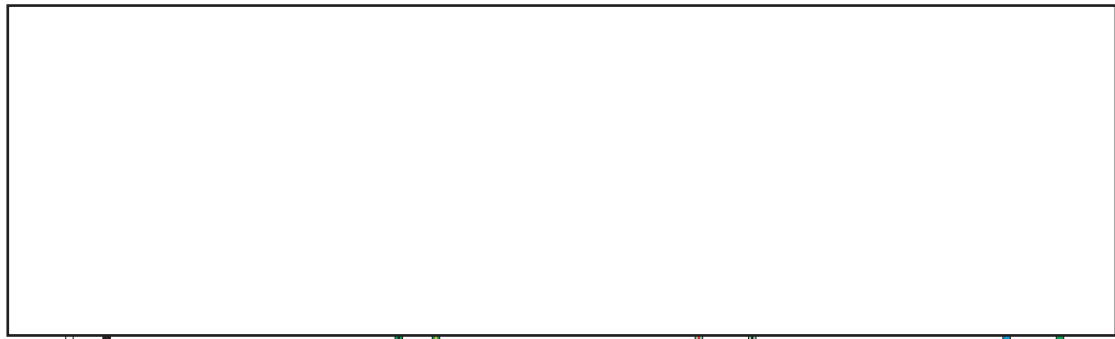
WI-44604

Vehicle Dynamics Control System

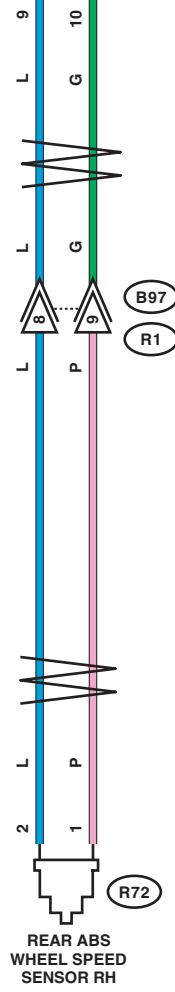
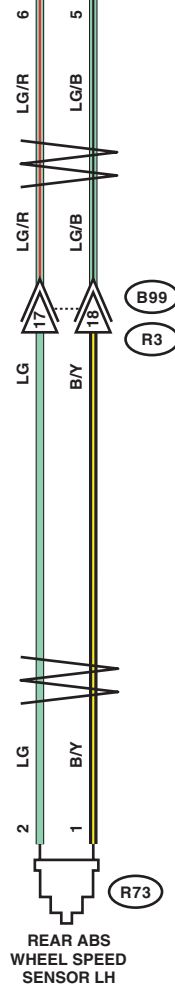
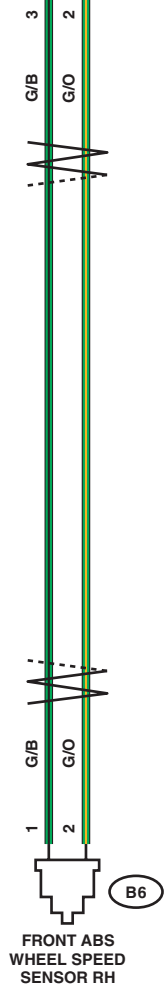
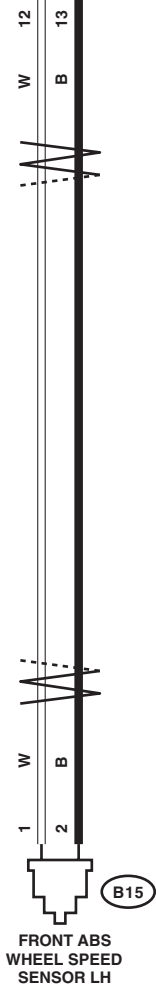
WIRING SYSTEM

d

d



B310
VDC CM



WI-44605

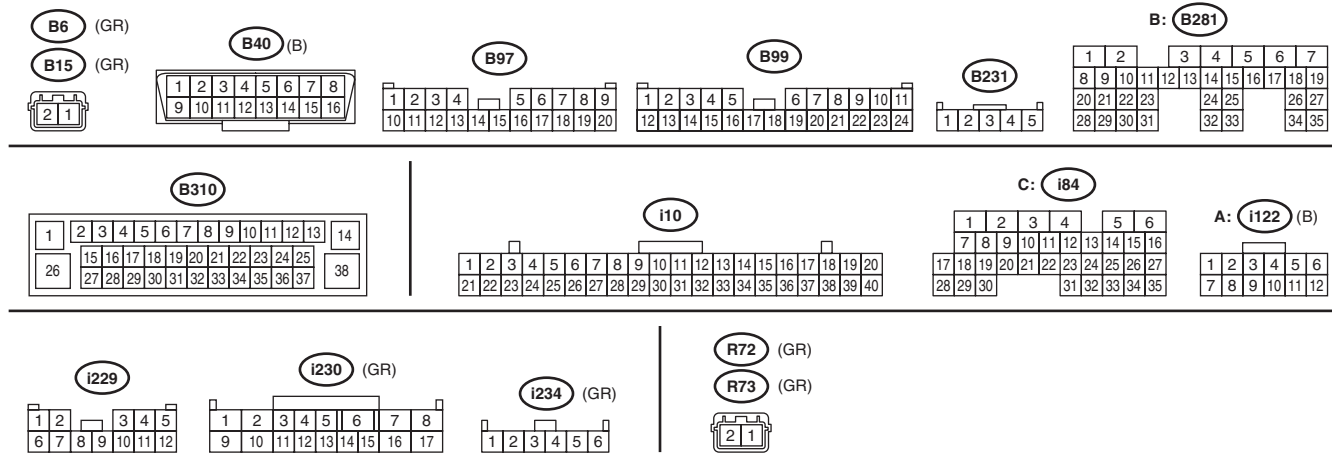
Vehicle Dynamics Control System

WIRING SYSTEM

e

e

LIST OF CONNECTORS



WI-44606